

ORIGAMI CARRIER C21

Pro AV application carrier board

combined with the B20 ORIGAMI module, the C21 is a small high performance board made to handle high resolution videos with extreme connectivity

Application fields

- Pro-AV
- Broadcast

► Overview

The Origami C21 Carrier Board is a small production board developed by NGCodec and commercialized by Image Matters. It has been designed to receive one Origami B20 Module, one CPU SOM module, and it features all connectors required for Pro AV applications.

► Features

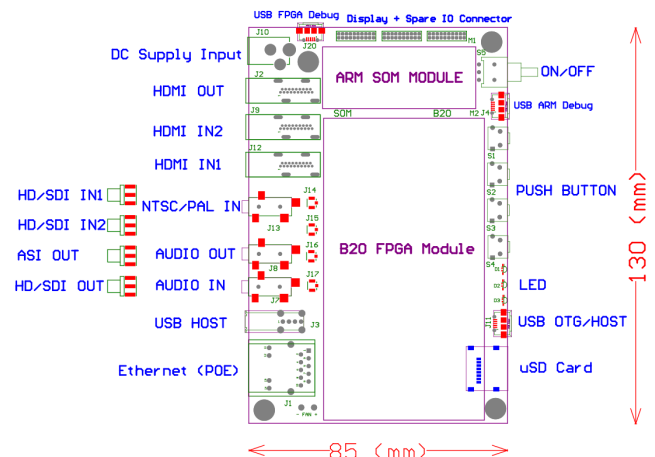
Video IN	2x 3G-SDI 2x HDMI v1.4 Analog NTSC
Video OUT	1x 3G-SDI 1x HDMI v1.4 LCD display
Interfaces	USB Type A connectors for module programming Reset buttons and LEDs for debug Gigabit Ethernet RJ45 Interposer connector for 1 or 2 unit Origami Module <ul style="list-style-type: none"> • 2x JTAG • HPIO / HRIO • I²C & ISP control bus • 12V & 3,3V Power lines
Processor	Embedded Dual core 1GHz ARM® host processor
Power	Power over Ethernet 5V DC (15W)
Dimension	130 (W) x 85 (D) x 30 (H) mm

► Key Benefits

- Tiny size, ready-to-ship module
- Sub-frame latency, two channel H.265/HEVC Codec
- Complete example host CPU with Linux application
- µSD card for easy software development
- Supports both consumer and Pro AV I/O
- Expansion connector for LCD display, touch panel,

camera, switches, GPIO, etc.

► Hardware Diagram



► About NGCodec

NGCodec® has been in passionate pursuit of next generation video compression since 2012. With the support of investors including Xilinx, NGCodec's agile startup team has created RealityCodec™, a compressor-decompressor technology optimized for ultra-low latency, high-quality applications. Headquartered in Sunnyvale, California, NGCodec licenses its H.265/HEVC video codec silicon intellectual property (IP) to semiconductor and equipment manufacturers around the world.

Learn more at <http://ngcodec.com>.



Image Matters
Rue des Eburons 34
4000 Liège, Belgium
www.image.matters.pro
contact@image.matters.pro